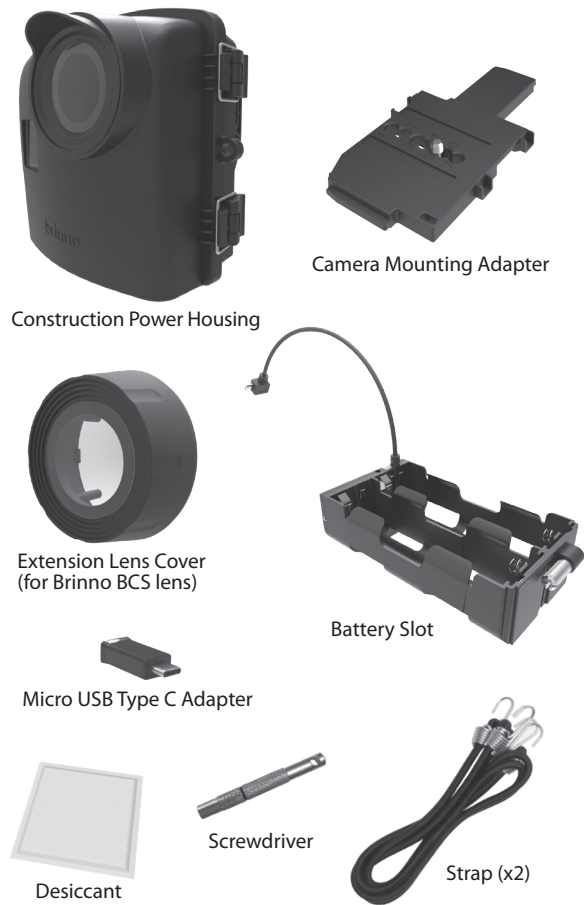


# Construction Power Housing

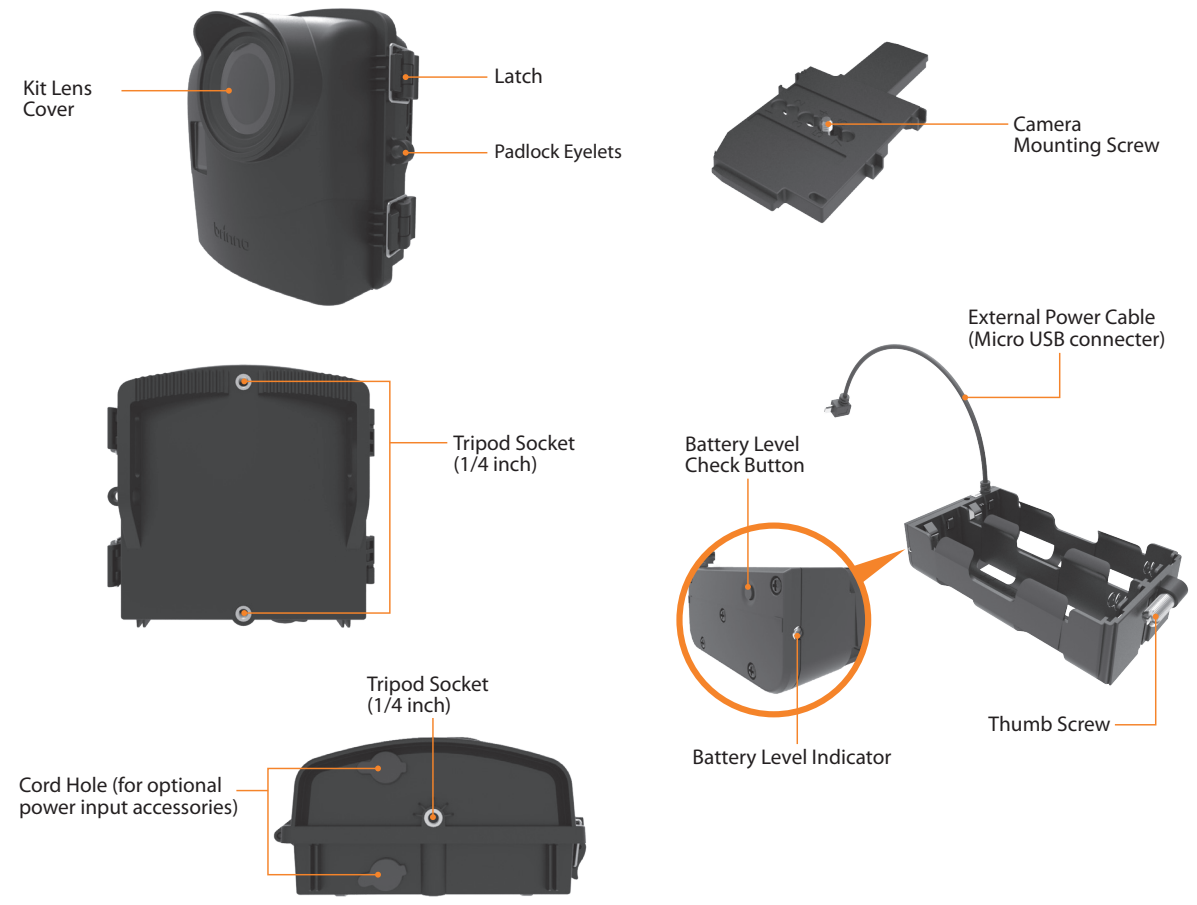
## ATH2000 User Manual

www.brinno.com

### 1 In the Box



### 2 Parts of Device



## Register @online

www.brinno.com/support/registration



For manuals in other languages, visit

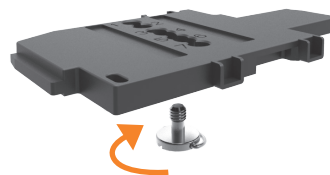
www.brinno.com/support

The product features, specifications sheets and instructions may differ from actual products. Please refer to Brinno official site for the latest version of user manual.

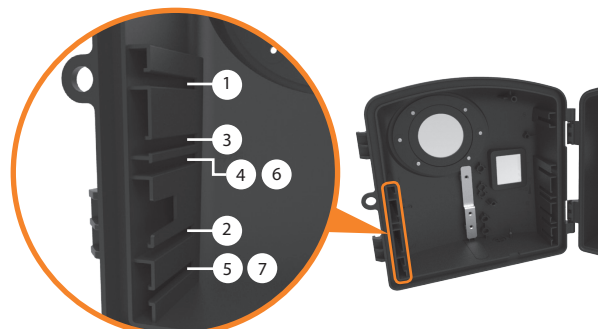
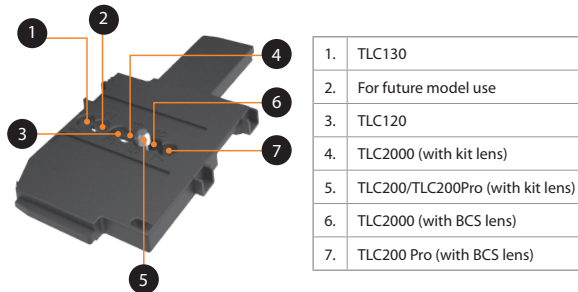


### 3 Install Camera

1. Remove camera mounting screw.



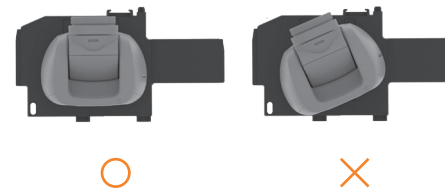
2. Depends on different cameras, install a screw to their respective positions.



3. Tighten screw until secure.

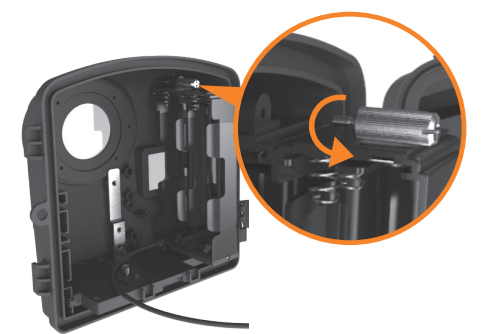


⚠ Make sure the camera is facing to front.

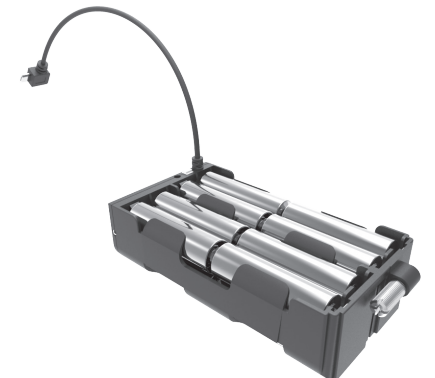


### 4 Install Batteries

1. Loosen the screw and remove battery slot from power housing.

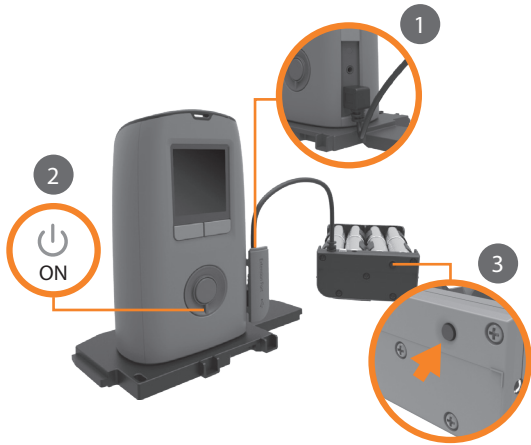


2. Install batteries.



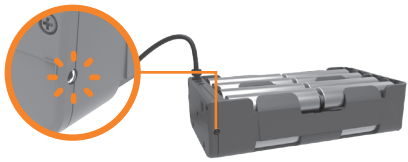
## 5 Installation

3. Check battery level.  
 3-1. Plug the power cable into your camera.  
 3-2. Turn camera on.  
 3-3. Press battery level check button.



4. Battery indicator:

Green	100% - 20%
Orange	20% - 5%
Red	< 5% (replace the batteries immediately)

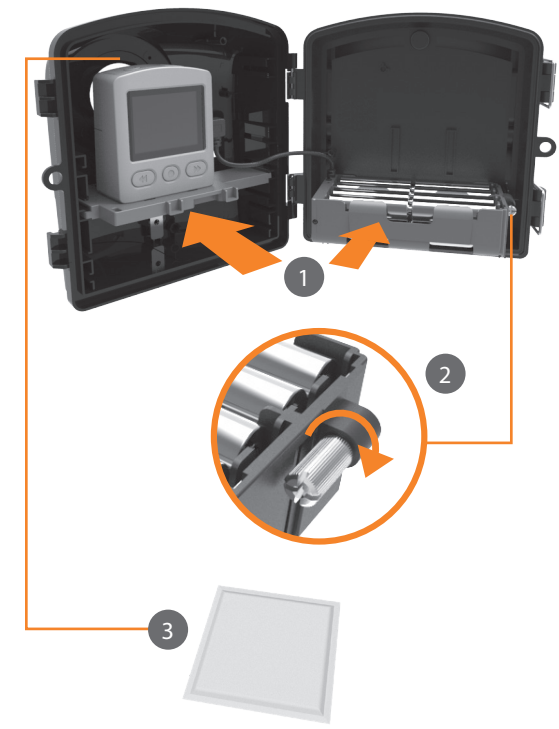


1. Install camera and battery slot into camera housing.  
 2. Tighten the screw to lock battery slot's position in place.  
 3. Take out desiccant and pack it into power housing.

For TLC200, TLC200Pro (with kit lens) and TLC200Pro (with BCS lens).



For TLC120, TLC130, TLC2000 (with kit lens) and TLC2000 (with BCS lens).



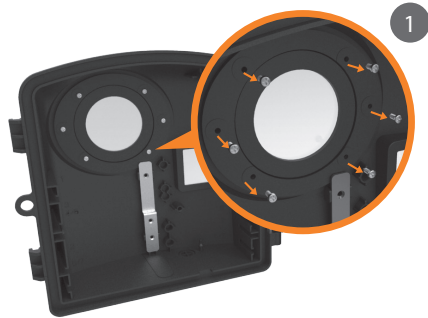
4. Close the power housing and lock the latch.



⚠ Regularly replace used desiccant can maintain the long-term function of ATH2000.

## 6 How to Change Lens Cover

1. Loosen screws.



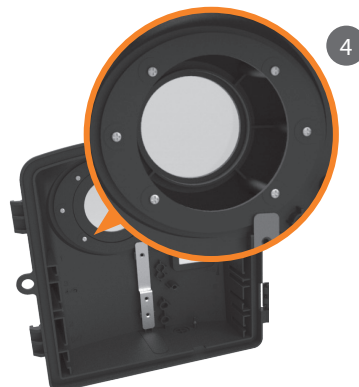
2. Remove kit lens cover.



3. Mount extension lens cover.



4. Tighten screws.



## 7 Specifications

Model NO.	ATH2000
IP-Rating	IPX5(weather resistant)
Compatible Cameras	TLC200, TLC200Pro, TLC120, TLC130, TLC2000
Battery Slot	Room for up to 16 add'l AA batteries Micro USB connector (output 5V 2A)
Exchangeable Lens Covers	Kit lens cover Extension lens cover (for Brinno BCS lens)
Size	6.6" x 6.1" x 4.5" (167x156x115.5 mm)
Weight	14 oz (393 g)
In the Box	Construction power housing; Camera mounting adapter; Battery slot; Extension lens cover; Desiccant; Screwdriver; USB-C Adapter; Strap*2